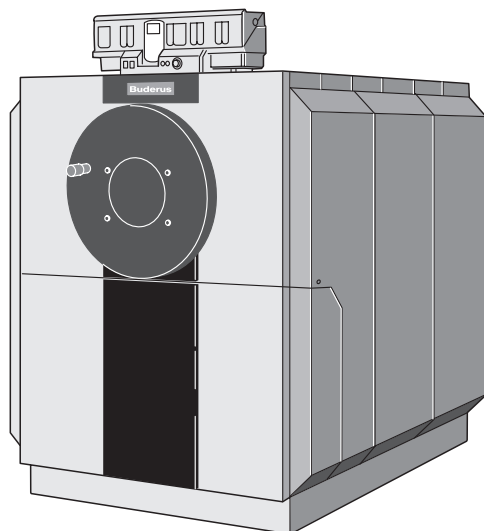


Operating instructions

Gas-fired condensing boiler Logano plus SB735



Buderus

Dear Customer,

The gas-fired condensing boiler Logano plus SB735 from Buderus has been developed and built employing the latest technologies and meets all appropriate safety regulations. "Ease of operation" was given a particularly high priority when designing this product.

Please read and observe the safety instructions and the operator's instructions carefully to ensure optimum safe, economical and environmentally-friendly utilisation of your system.



WARNING!

DANGER OF EXPLOSION

There is a risk of explosion if you can smell gas.

- Keep open flames away.
- Do not smoke.
- Avoid sparks.
Do not operate electrical switches, incl. telephone, plugs or doorbells.
- Close the mains gas shut-off valve.
- Open windows and doors.
- Warn all occupants.
- Leave the building.
- Call your gas supplier or your expert heating engineer from outside the building.

In case of other dangers, immediately close the mains gas shut-off valve and switch off the emergency stop switch of the heating system outside the boiler room.

Place of installation/boiler room

The inlet and outlet ventilation openings must not be restricted or shut off.

Inflammable materials and liquids must not be stored or used in the vicinity of the boiler.

To prevent boiler damage, exclude contamination of the combustion air through halogen hydrocarbons (e.g. those found in spray cans, solvents or cleaning fluids, paints, adhesives) or through extremely dusty conditions. The boiler location must be kept free from frost and must be adequately ventilated.

Working on the heating system



WARNING!

RISK OF EXPLOSION

through flammable gases.

- The installation, the mains gas and flue gas connections, the initial start-up, the electrical connection as well as maintenance and repair work should only be carried out by a competent person, i.e. a heating engineer.
- Ensure that work on parts of the gas installation are only carried out by licensed heating engineers.

According to the Heating System Order paragraph 9, the user of a heating system is responsible for carrying out or for arranging the cleaning and maintenance on an annual basis.

Carry out maintenance and cleaning procedures annually. As part of these steps, check the proper function of the entire system.

Remedy all defects immediately.

We recommend you arrange a maintenance contract with a heating equipment service engineer.

Instruction in function and operation

The installer should make the system user familiar with the function and operation of the heating system and to hand over all technical documentation to the user.

Heating system condition

- Open all radiator valves, shut-off valves and damper valves in the heating system.
- Vent the total system at the air vent valves provided.
- Check, whether the cleanout covers and doors have been closed.

Check the water level in the system. On open vented systems, the pressure gauge marker must be within the red range.

For sealed systems, the marker may deviate from the setting of the red marker within the green range.

Arrange for water to be replenished, if the water level is too low.



WARNING!

RISK TO HEALTH

Observe the supplement "Water quality..." and VDI 2035.

- Never use boiler water for domestic use.

Burner

Let an expert adjust the burner to the heat demand of the building.

The correct setting of the burner must be verified on handover.

The burner setting should be checked annually in conjunction with the chimney draught (in accordance with DIN 4755 and 4756).

Fuel

LPG or natural gas.

Observe the details of the burner supplier.

Initial start-up

The system must be commissioned by the heating engineer (and should preferably be witnessed by the owner). Also observe the specific operating instructions relating to the burner when commissioning or decommissioning the system. Observe the special operating instructions of the Buderus control unit, when such a device is used to control the system. The heating operation is a fully automatic process.

- Open the gas shut-off valve.
- Set the On/Off switch to (fig. 1, **item 1**) to position "1" (ON).
- Set the boiler water thermostat (fig. 1, **item 2**) to the required temperature.
For "Logamatic control units" the boiler water thermostat is factory-set to automatic operation, i.e. "AUT".

Shutting down the boiler

- Close the gas shut-off valve.
- Set the On/Off switch to (fig. 1, **item 1**) from position "1" (ON) to position "0" (OFF).

Isolate the system when shutting down the system for longer periods.

The system should remain filled with water to prevent corrosion and scaling.

Protect the system against frost damage if the heating system is switched off, e.g. through a fault shutdown, if there is a risk of frost.

Maintenance

Observe the installation and maintenance instructions for boiler and burner when carrying out maintenance work on either.

Observe the separate instructions when carrying out maintenance work on the neutralisation system.

Faults

Burner faults are indicated by indicator lamps on the burner and on the control unit as well as in the display (fig. 1, **item 3**).

- Press the reset button on the burner.
Notify your heating contractor if the burner will not fire after the reset button has been pressed repeatedly.

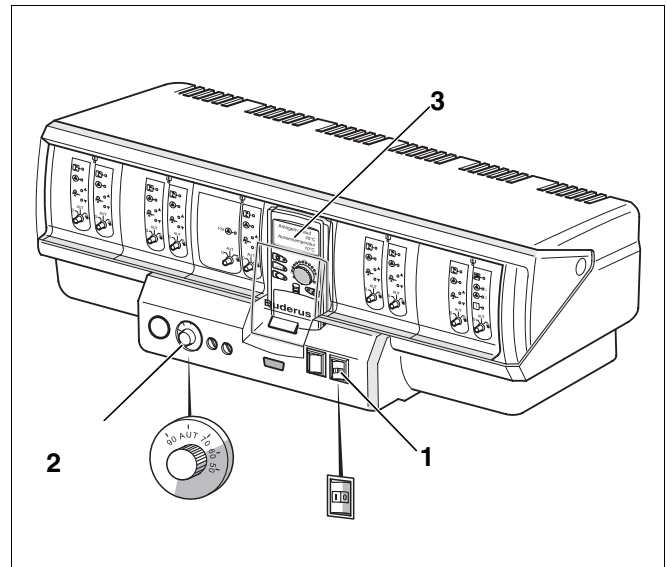


Fig. 1 Logamatic 4000 control unit